



TE-Series 17" Open Frame

Self-Service • Kiosk • Industrial • Public Spaces • Customized

Product Features

Industrial grade design

A-grade panel

Rear VESA mounting and side mounting holes

Built-in OSD buttons

Supports 8 languages

HID compliant for easy integration



TE1793R-D

5-Wire Resistive

Contact Us

220 Tradesmen Dr.
Hutto, TX 78634
512-846-2424

Sales@touchsystems.com
www.touchsystems.com

The TouchSystems TE 17" Open Frame touch display is perfect for those needing a customized touch solution. Featuring a sleek dust- and splash-proof bezel design, the TouchSystems TE 17" Open Frame is perfect for kiosks, table mounts or public spaces. Rear VESA mounts and side mounting holes provide various mounting options – giving you a fully customizable touch solution. HID compliant, the unit easily integrates into existing computer or thin client systems, making installation a breeze.

Self-Service

Designed for high-standard touch applications, the TouchSystems TE 17" Open Frame can withstand heavy daily use.

Kiosks

Easily integrated into existing or custom enclosures, the TouchSystems TE 17" Open Frame is an elegant, economical solution.

Public Spaces

Attractive elegance and rugged durability make the TouchSystems TE 17" Open Frame an ideal solution for high-traffic public spaces.

Industrial

Rugged and reliable, the TouchSystems TE 17" Open Frame boasts a dust and splash-proof bezel design and utilizes industrial-grade components.

Customized

Fully customizable, the TouchSystems TE 17" Open Frame features rear VESA mounting and side mounting holes, providing various mounting options to meet your needs.

Specifications	
Viewable Image Size	17"
Color	Dark Gray
Pixel Pitch	0.264mm
Brightness	200 cd/m ²
Contrast Ratio	1000:1
Viewing Angle	160° Vertical, 160° Horizontal
Response Time	5 ms
Vertical Synchronization	75 Hz
Touch Screen (Fully Integrated)	5-Wire Resistive
Connectivity Interfaces	D-Sub 15-pin (VGA), USB (Type-B) and RS232 (DB-9) (Touch)
PC Compatibility (Touch Driver)	Windows 7, Vista 32/64 bits, XP, 2000, NT4.0, ME, 98, CE, Embedded XP, Linux, Apple Mac OS
Plug & Play	DDC 2B Compatible
Display Resolution	1280 x 1024 @ 60 Hz
Voltage Rating	DC 12V, 4.16A
Power Consumption	Operating: 25W, Sleep: 3W, Off: 1W
Dimensions (WxHxD)	394mm x 330mm x 63.6mm
Net Weight	12 lbs
VESA Hole Configuration	100mm x 100mm
Operating Temperature	32°F ~ 122°F
Standards	TUV, CE, UL, CUL, FCC-B, RoHS
Limited Warranty	3 Years Parts and Labor



TE-Series 17" Open Frame

Self-Service • Kiosk • Industrial • Public Spaces • Customized

Product Features

Industrial grade design

A-grade panel

Rear VESA mounting
and side mounting holes

Built-in OSD buttons

Supports 8 languages

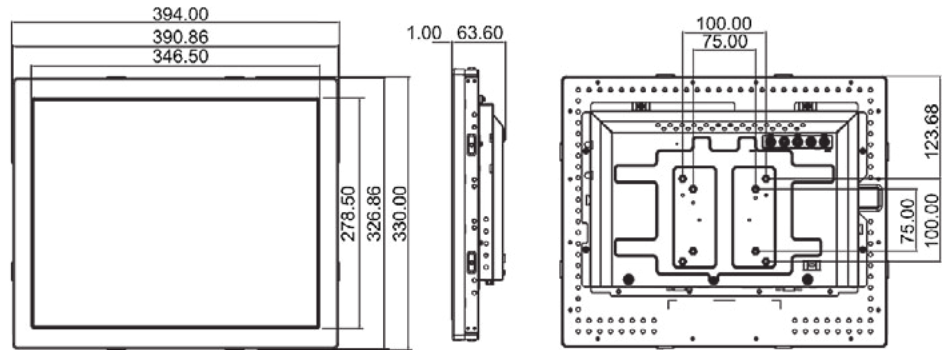
HID compliant for easy
integration



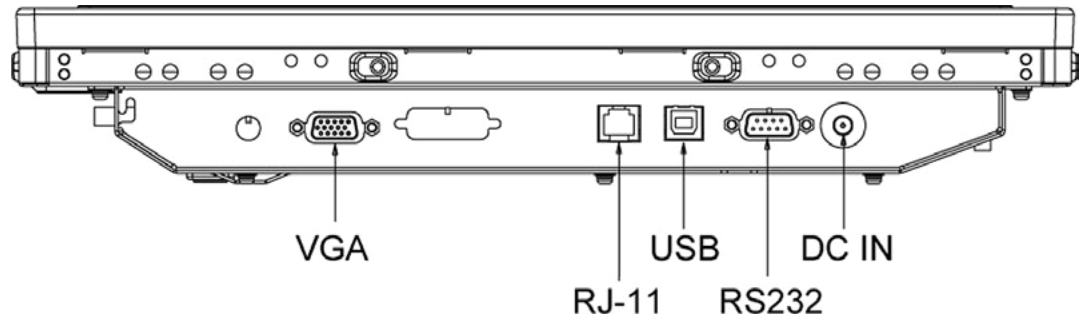
TE1793R-D

5-Wire Resistive

Mechanical Drawings



I/O Ports



Contact Us

220 Tradesmen Dr.
Hutto, TX 78634
512-846-2424

Sales@touchsystems.com
www.touchsystems.com